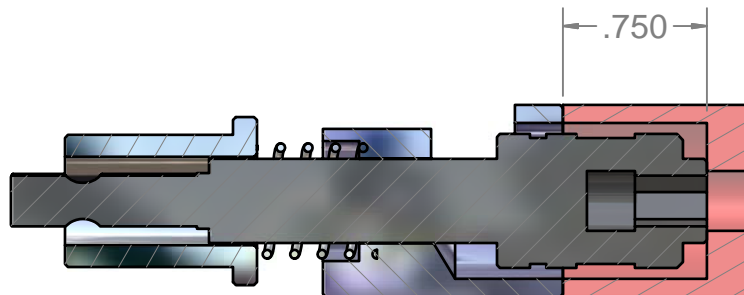
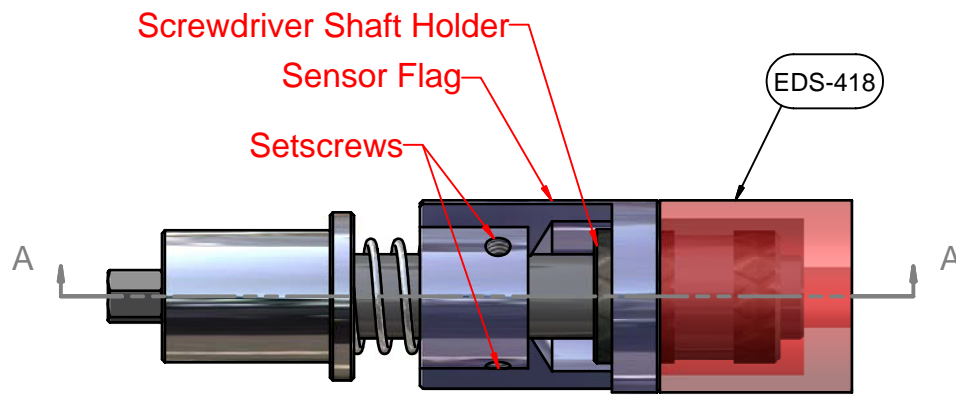


Shaft Sensor Flag Adjustment

To Adjust the Screwdriver Shaft Sensor

Loosen the setscrews on the Sensor Flag,
Slide the Sensor Flag until it is in contact with EDS-418,
and hold EDS-418 snug against the Screwdriver Shaft Holder
If you can't find the EDS-418 that was issued with your machine,
You may order a new one or use a digital or dial caliper
to set the offset to .750" as shown



SECTION A-A